

# SEETRONIC

## Product Data Sheet

**Product Type** XLR Socket

**Product Model** MJ4F2C-BG


**Customer Name** \_\_\_\_\_

Manufacturer	Prepared	Checked	Approved

Customer	Received	Checked	Confirmed



## Product Data Sheet

<b>Product Type</b>	<b>XLR Socket</b>	
<b>Product Model</b>	<b>MJ4F2C-BG</b>	

### Product Features

- 4-pin XLR male socket with zinc alloy and black plated housing and gold plated contacts
- D-shape metal shell with industry standard D-type installation dimensions provides installation compatibility
- Mountable on the front or rear of the panel
- Short axial size, space saving and lightweight



## Product Data Sheet

### Product Parameters

Item	Specification
Connection type	XLR
Gender	Male

### Electrical Parameters

Item	Specification
Capacitance between contacts	$\leq 7$ pF
Contact resistance	$\leq 5$ m $\Omega$
Dielectric strength	1500V DC
Insulation resistance	$> 10$ G $\Omega$ (initial)
Rated current per contact	10 A
Rated voltage	$< 50$ V



## Product Data Sheet

### Mechanical Parameters

Item	Specification
Service life	> 1000 mating cycles
Insertion force	$\leq 20$ N
Withdrawal force	$\leq 20$ N
Screw fixing torque	Latch lock
Chassis shape	D



## Product Data Sheet

### Material and Environmental Parameters

Item	Specification
Housing	Zinc alloy
Housing plating	Black plating
Insert	PA
Contacts	Cu alloy
Contact plating	Au
Flame-retardant grade	UL 94 V0
Temperature range	-30°C ~ +80°C
Protection class	IP40
Solderability	Complies with IEC 68-2-20

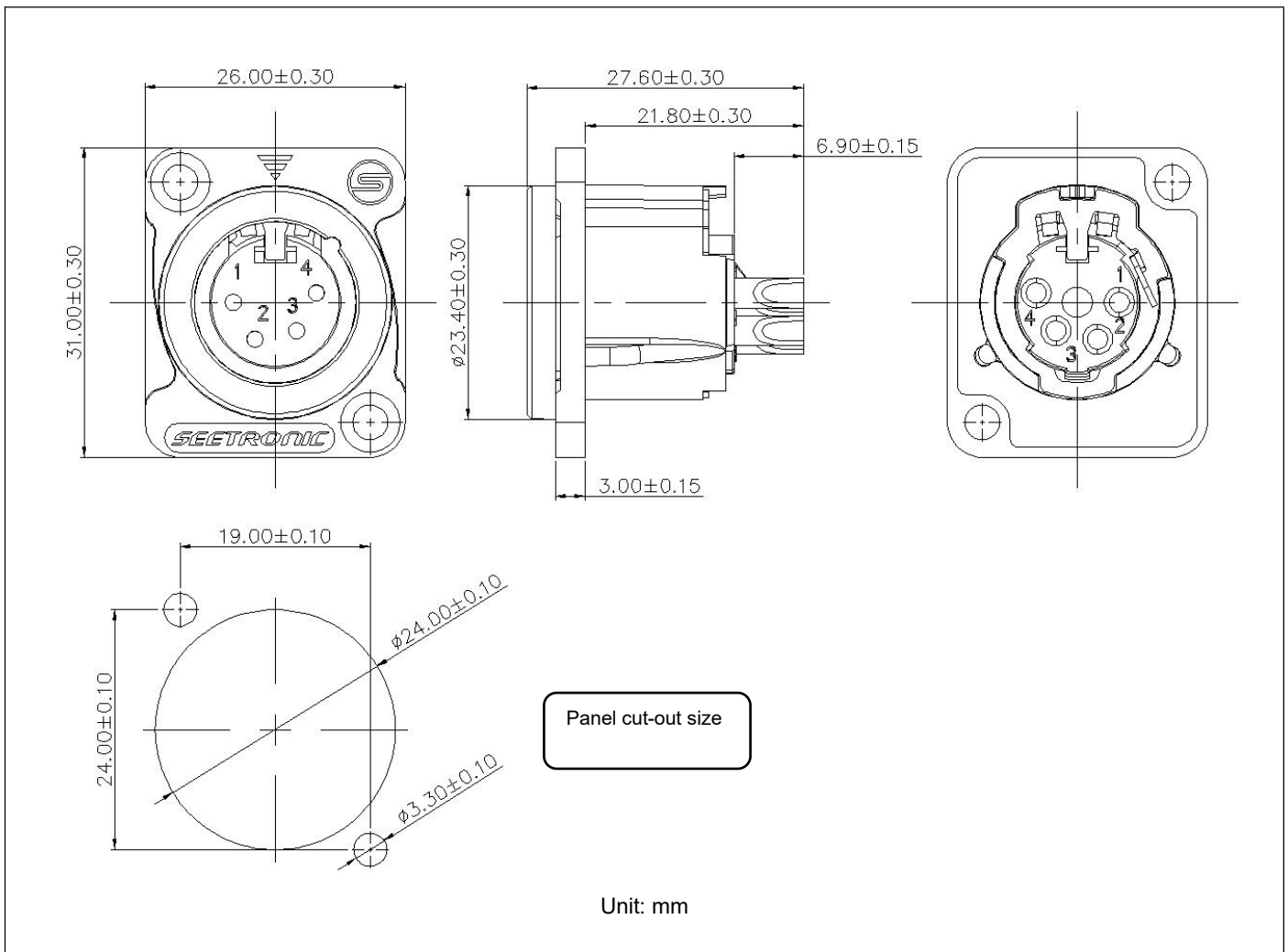
### Standards and Certifications

Standards	IEC 61076-2-103
-----------	-----------------



## Product Data Sheet

### Product Drawing



### Packaging Method

Blister box packaging

20 pcs per blister box, 100 pcs per inner carton, 5 inner cartons per master carton (500 pcs per master carton)



## Product Data Sheet

### Accessory

- |  |  |
|--|--|
| <input checked="" type="checkbox"/> No accessories | <input type="checkbox"/> Back fastener plate |
| <input type="checkbox"/> Screws and Nuts           | <input type="checkbox"/> Other               |

### Assembly Instructions

Install the socket on the front or rear of the panel and tighten the screws with 0.5 Nm torque in clockwise direction.

